

Latches

Small Type, Operation with Socket Key / with Wing Knob, with and without Lock

SPECIFICATION

Types

- Type **DK**: With triangular spindle
- Type **VK**: With square spindle
- Type **SCH**: With slot
- Type **SK**: With wing knob
- Type **SCK**: With wing knob, lockable (same lock)
- Type **SC**: With key (same lock)

Lock housing

Zinc die casting

Housing collar chrome plated

Housing collar powder coated

Black, RAL 9005, textured finish **SW**

Wing knob

Zinc die casting

Powder coated

Black, RAL 9005, textured finish

Key

Nickel silver with plastic hand piece

Other parts

Steel zinc plated, blue passivated

Protection class IP 65

Type DK / VK / SCH / SK



INFORMATION

Latches GN 115.1 have smaller dimensions than standard latches GN 115-WOE-ZD (see page), GN 115-WSK-ZD (see page), GN 115-WOE-L (see page), GN 115-WOE-SST (see page) or GN 115-WSK-SST (see page) making them ideal for applications with limited space or requiring an unobtrusive appearance.

They lock by a turning operation limited to 90° which moves the latch arm in the locked position behind the door frame. The bevels of the latch arm ease the closing of the door.

Latch arms are available with different bend angles to cover a latch arm distance A of 7,5 / 13,5 and 19,5 mm.

The lockable latches (Types SCK and SC) are delivered with 2 keys. The key may be pulled off in both end positions. The lock is standard, so that every lock can be opened with the same key.

The latches GN 115.1 are supplied with loosely enclosed latch arm (except for type SC).

ACCESSORY

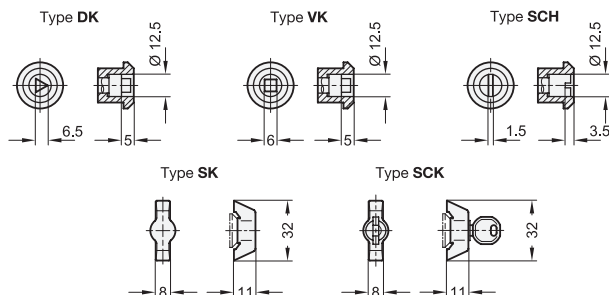
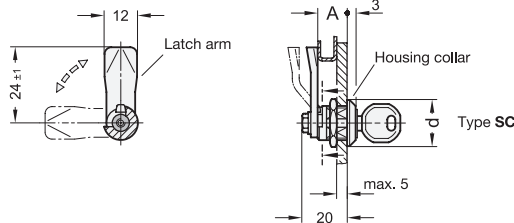
- Socket Keys GN 119.2 (see page 1530)
- Protective Caps GN 120 (see page 1486)

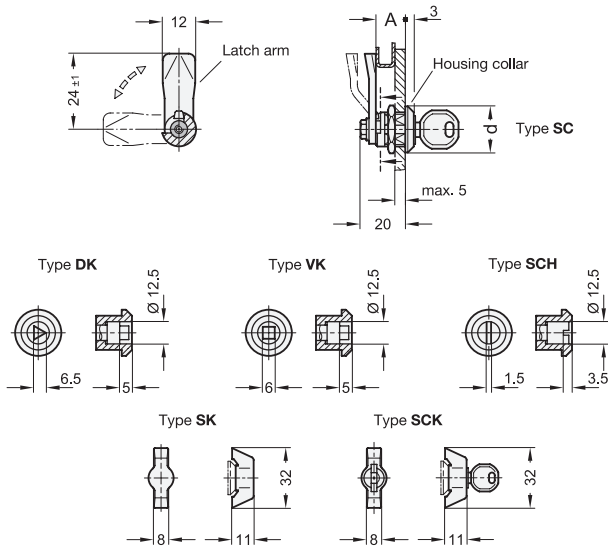
ON REQUEST

- Lock with Different Combinations

TECHNICAL INFORMATION

- IP Protection Classes (see page A23)
- Stainless Steel Characteristics (see page A26)





GN 115.1-Housing collar chrome plated

Description	Latch arm distance A	d	△
GN 115.1-DK-7,5	7.5	20	24
GN 115.1-VK-7,5	7.5	20	25
GN 115.1-SCH-7,5	7.5	20	20
GN 115.1-SK-7,5	7.5	22	50
GN 115.1-SCK-7,5	7.5	22	57
GN 115.1-SC-7,5	7.5	22	35
GN 115.1-DK-13,5	13.5	20	26
GN 115.1-VK-13,5	13.5	20	27
GN 115.1-SCH-13,5	13.5	20	22
GN 115.1-SK-13,5	13.5	22	52
GN 115.1-SCK-13,5	13.5	22	62
GN 115.1-SC-13,5	13.5	22	37
GN 115.1-DK-19,5	19.5	20	28
GN 115.1-VK-19,5	19.5	20	27
GN 115.1-SCH-19,5	19.5	20	24
GN 115.1-SK-19,5	19.5	22	54
GN 115.1-SCK-19,5	19.5	22	64
GN 115.1-SC-19,5	19.5	22	39

GN 115.1-Housing collar powder coated, black

Description	Latch arm distance A	d	△
GN 115.1-DK-7,5-SW	7.5	20	24
GN 115.1-VK-7,5-SW	7.5	20	25
GN 115.1-SCH-7,5-SW	7.5	20	20
GN 115.1-SK-7,5-SW	7.5	22	50
GN 115.1-SCK-7,5-SW	7.5	22	57
GN 115.1-SC-7,5-SW	7.5	22	35
GN 115.1-DK-13,5-SW	13.5	20	26
GN 115.1-VK-13,5-SW	13.5	20	27
GN 115.1-SCH-13,5-SW	13.5	20	22
GN 115.1-SK-13,5-SW	13.5	22	52
GN 115.1-SCK-13,5-SW	13.5	22	62
GN 115.1-SC-13,5-SW	13.5	22	37
GN 115.1-DK-19,5-SW	19.5	20	28
GN 115.1-VK-19,5-SW	19.5	20	27
GN 115.1-SCH-19,5-SW	19.5	20	24
GN 115.1-SK-19,5-SW	19.5	22	54
GN 115.1-SCK-19,5-SW	19.5	22	64
GN 115.1-SC-19,5-SW	19.5	22	39

